

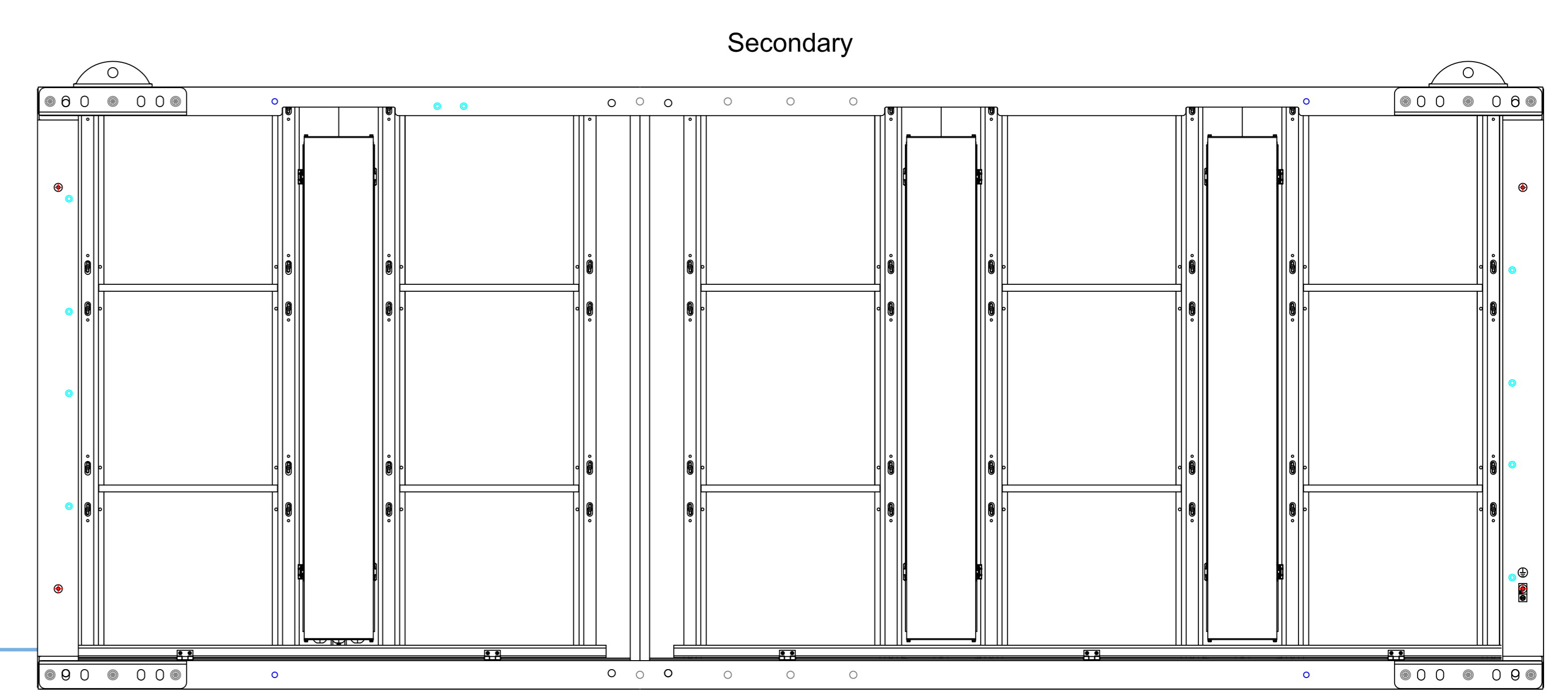
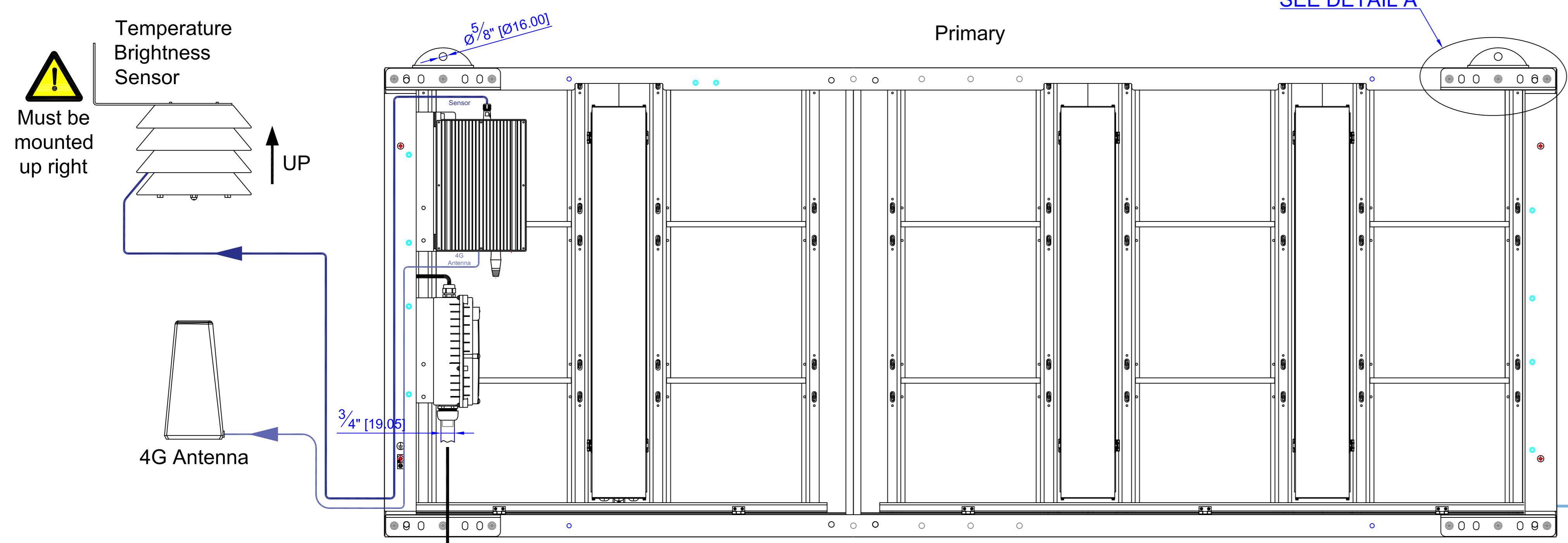
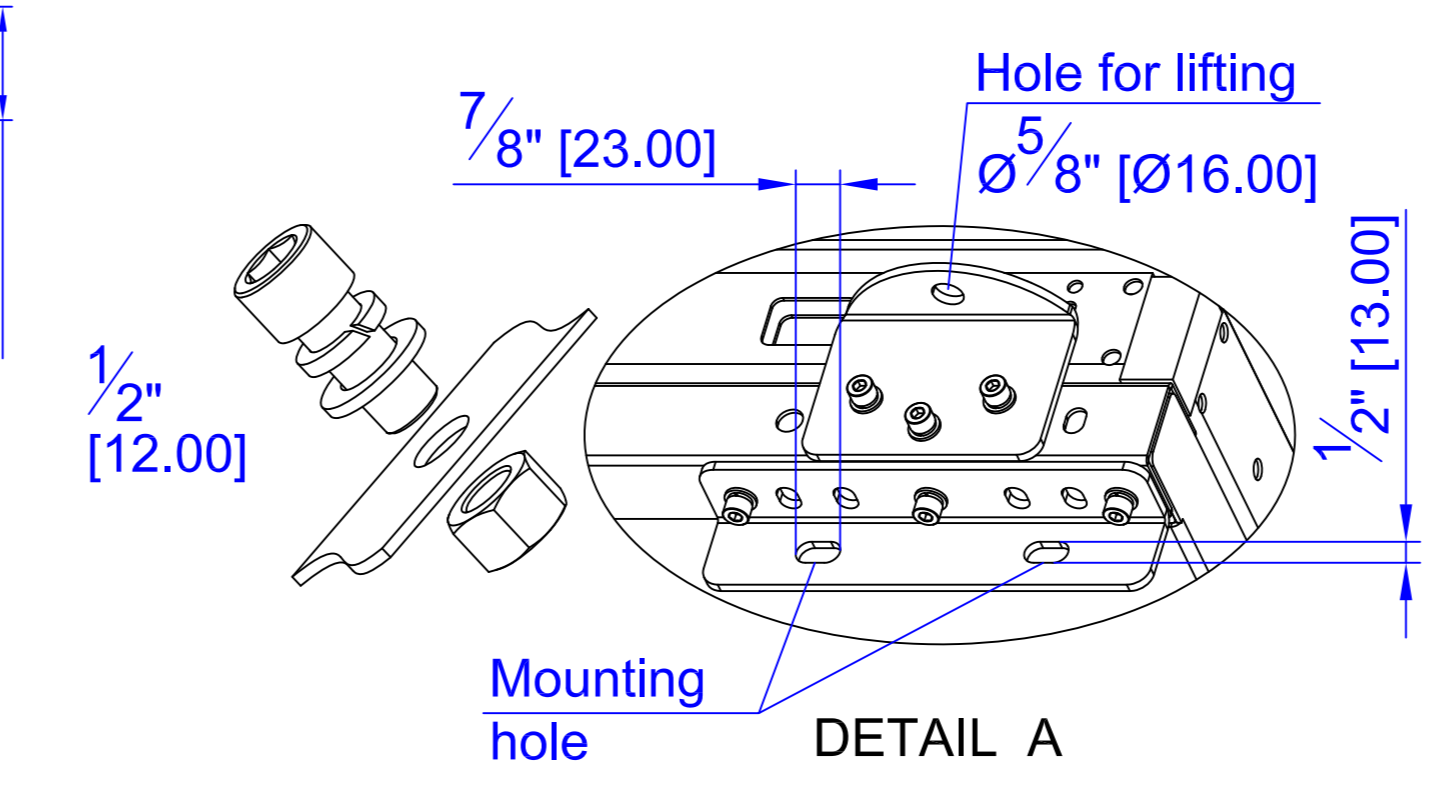
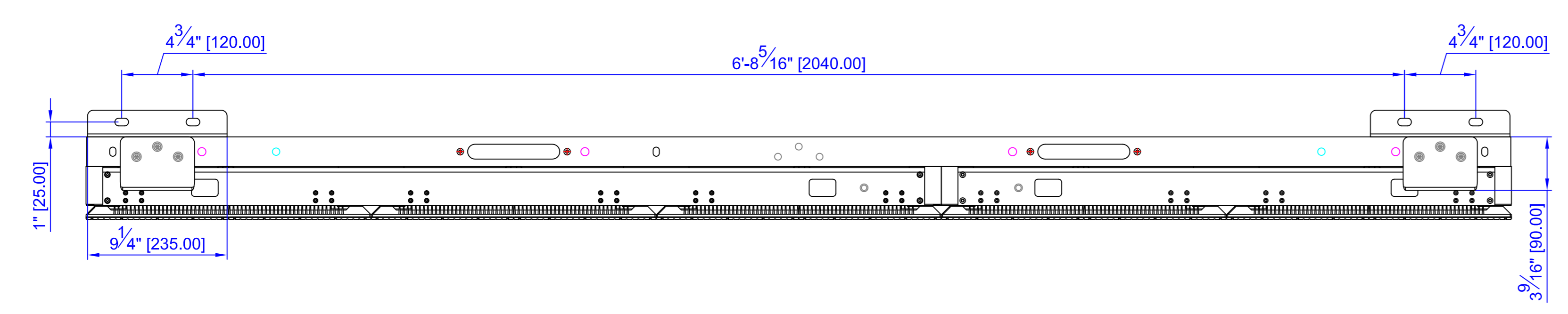
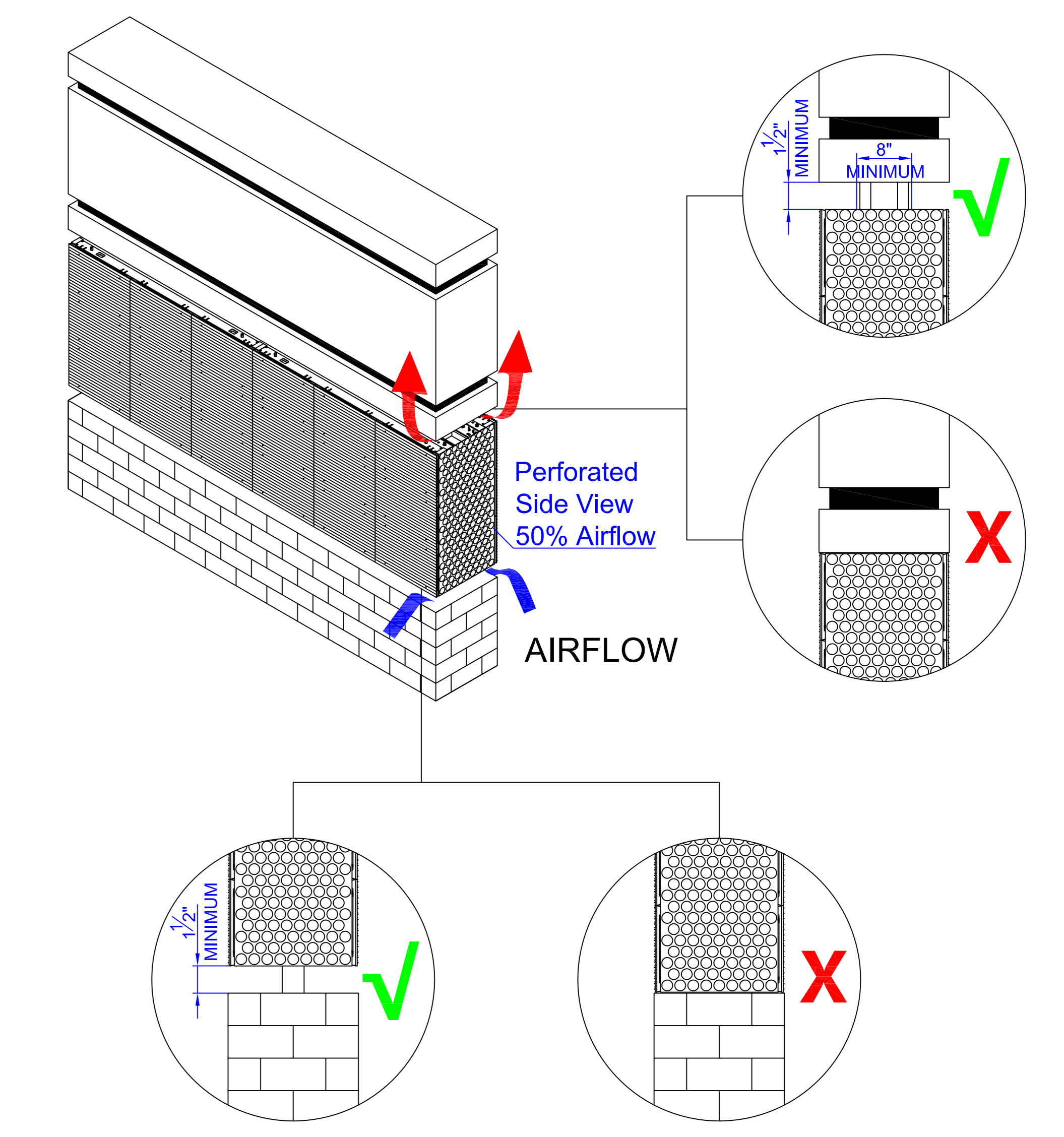
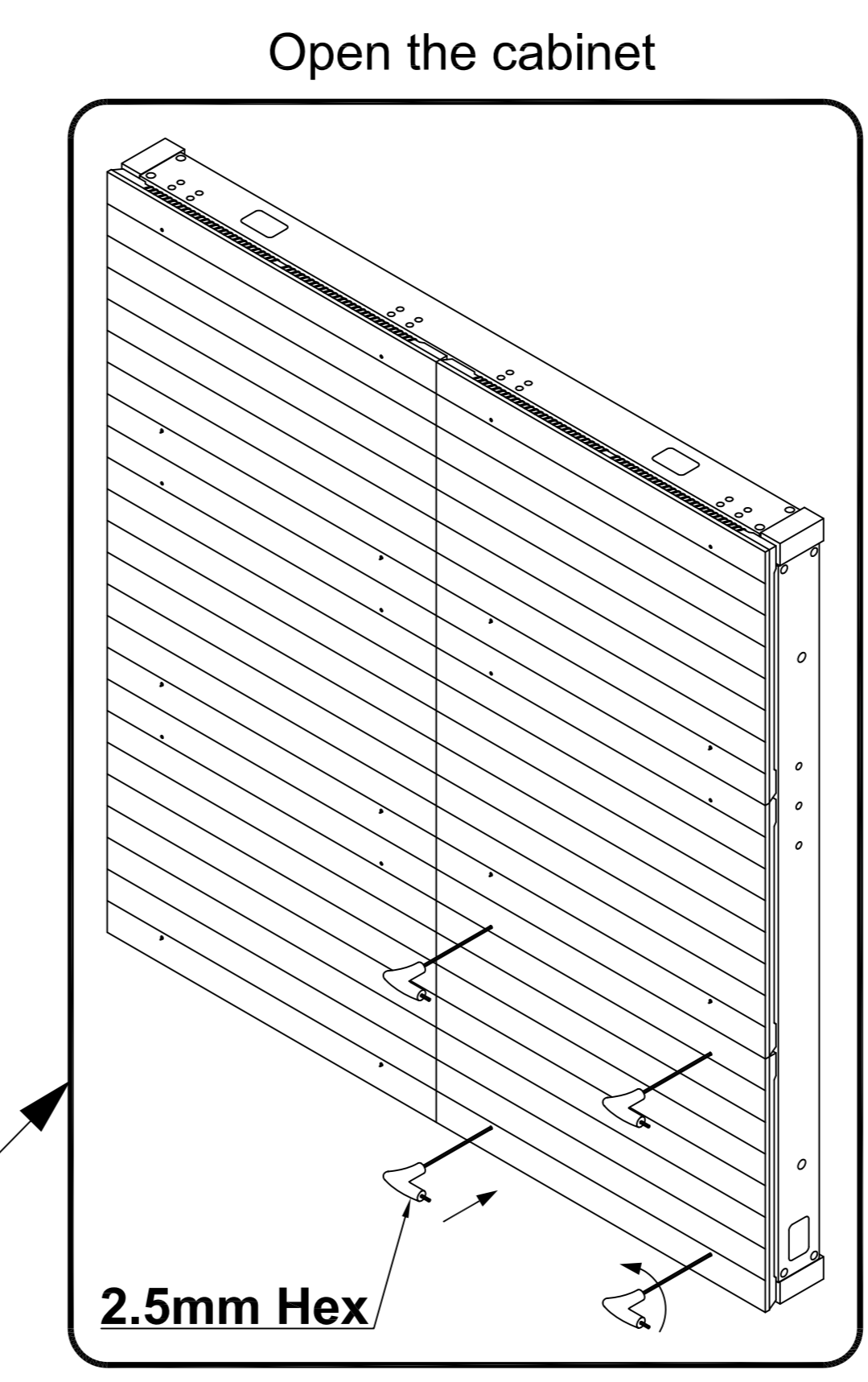
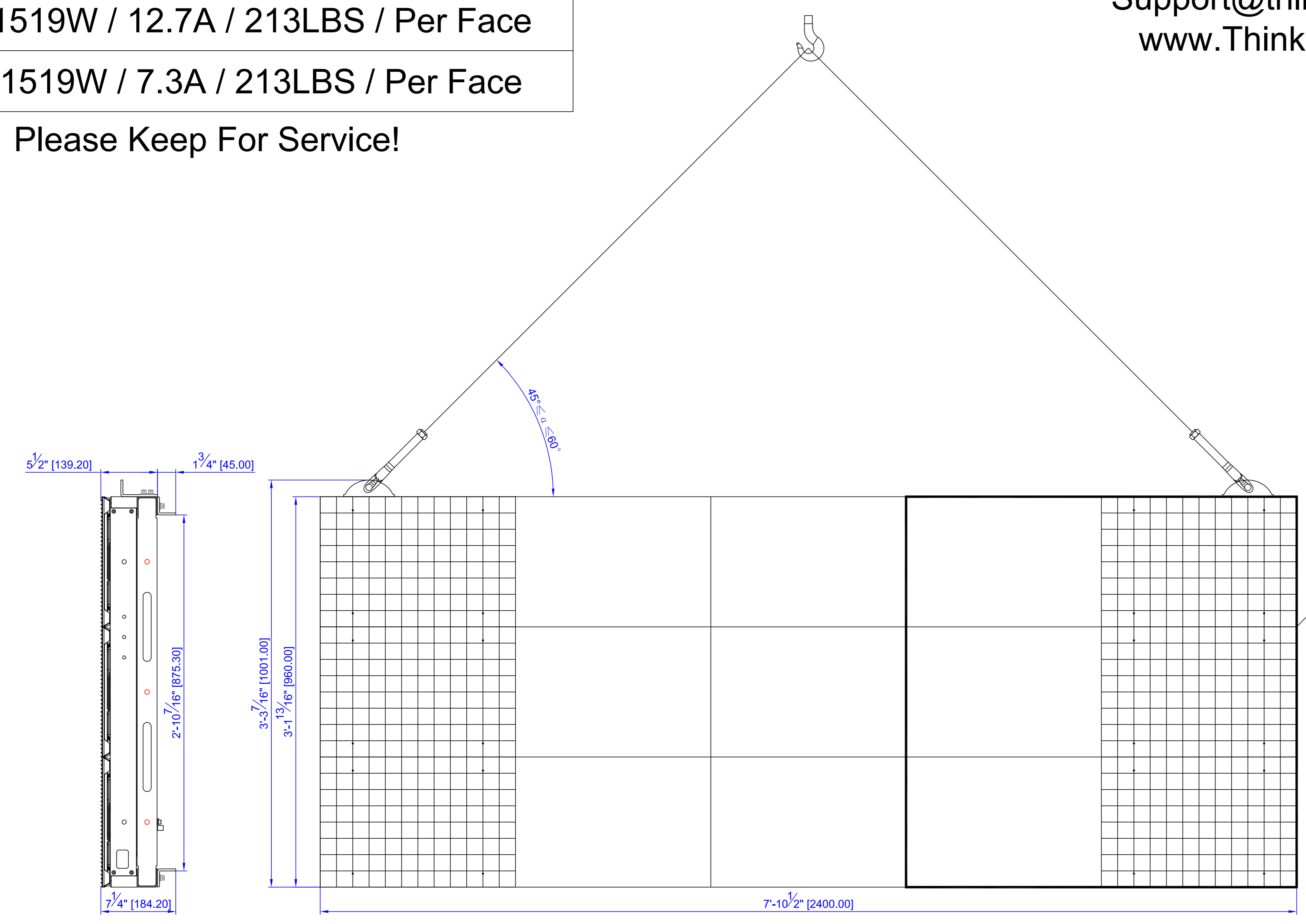
Order #:
 Allura-6 144x360-SMD
 120V / 1519W / 12.7A / 213LBS / Per Face
 208V / 1519W / 7.3A / 213LBS / Per Face



Support@thinksign.com
 www.ThinkSign.com

- NOTES:
 1.DISPLAY IS REAR VENTILATED, DO NOT BLOCK UP VENTILATORS.
 2.FRONT ACCESS FOR SERVICE.
 3.THINKSIGN IS NOT RESPONSIBLE FOR THE MAIN ELECTRICAL DISCONNECT.
 4.THINKSIGN IS NOT RESPONSIBLE FOR THE MOUNTING HARDWARE OR THE INTEGRITY OF THE STRUCTURE THE DISPLAY IS MOUNTED TO.

Please Keep For Service!



Single Face : 120V 12.7A
 208V 7.3A
 Double Faces : 120V 25.3A
 208V 14.6A

NET CABLE 5E